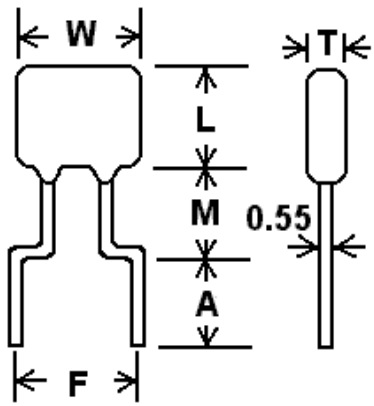




# EASE Electronics Co., Ltd.

## Product Specification

REF NO: B9905090811

<b>Customer</b> 客戶			<b>EASE P/N</b> 永銳料號	<b>R15NPO220J5H505Y</b>				
<b>Customer P/N</b> 客戶料號			<b>Drawn By</b> 經手人	Hunter Lee				
<b>P/C Approved</b> 生管確認	Fannie Huang		<b>Q.A. Approved</b> 品保確認	Jason Teng				
<b>Capacitance</b> 電容值	22 PF	<b>Tolerance</b> 允差	±5%	<b>Work. Volt</b> 工作電壓	50 VDC			
<b>D.F (Q)</b> 消散係數	0.1 % MAX	AT	1M Hz	<b>Test Volt</b> 測試電壓	125 VDC			
			1.0±0.25					
<b>I.R.</b> 絕緣電阻			100 K MΩ MIN	AT	50 VDC			
				<b>T.C.</b> 溫度特性	NPO (C0G)			
<b>Shapes :</b>  			<b>A</b>	5.0±2.0 mm				
			<b>L</b>	3.81mm(MAX)				
			<b>T</b>	2.80 mm (MAX)				
			<b>W</b>	4.55 mm(MAX)				
			<b>M</b>	3.0 mm(MAX)				
			<b>Ho</b>					
			<b>H</b>					
			<b>F</b>	5.08±0.8 mm				
						<b>Material</b> 材料		
						<b>PACKAGE</b> 包裝	[ ]	帶裝 T/R
				[*]	散裝 Bulk			
			<b>Packing Q'ty</b> 包裝數量	[ ]	2000 PCS/BOX			
				[*]	1000 PCS/BAG			
<b>Remark :</b>			<b>Marking :</b>					
RoHS Compliant (2002/95/EC)			22					